

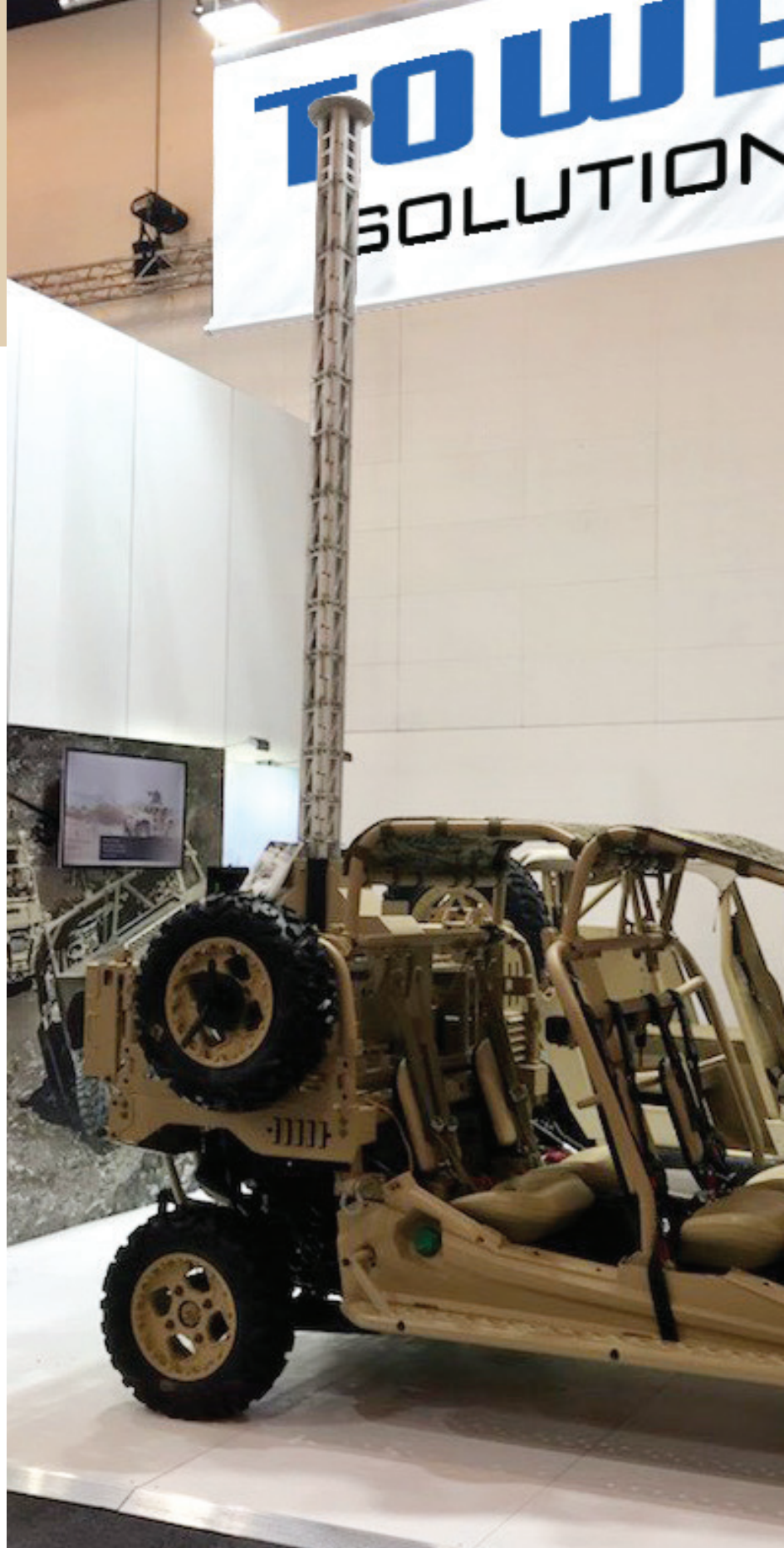
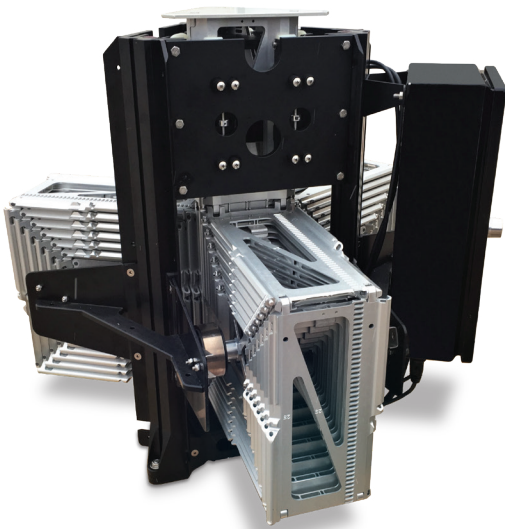


RAISING PERFORMANCE
WITH THE PUSH OF A BUTTON

STS-6

The STS-6 is our most compact tower and perfect for applications requiring a small footprint such as mounting on an ATV for intelligence, surveillance, reconnaissance (ISR) and communication operations.

The tower rises from a stowed height of 28 inches to a maximum height of 20 feet in 60 seconds. The robust design of the tower is extremely stable and can withstand winds of up to 60 mph.



Go to
towersolutionsinc.com
for more information



SURVEILLANCE



COMMUNICATIONS



TACTICAL SUPPORT



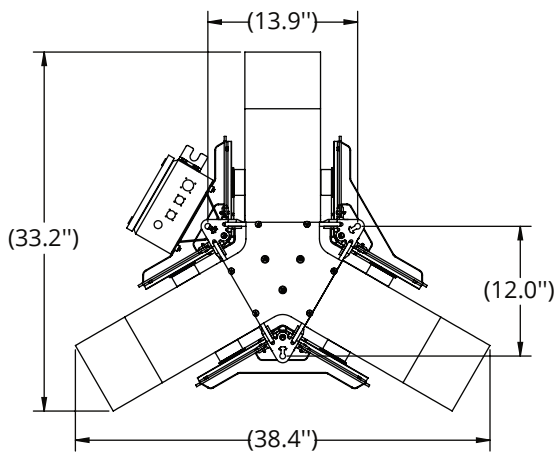
LIGHTING

STS-6 SPECIFICATIONS

Fully Deployed Height	12' (3.7 m)	16' (4.9 m)	20' (6.1 m)
Time to Max Deployed Height	36 Seconds	48 Seconds	60 Seconds
Set Up Time ¹	Less than 2 Minutes		
Ability to Stop at Any Height	Yes		
Top Payload Capacity	150 lbs (68.03 kg)	125 lbs (56.7 kg)	100 lbs (45.36 kg)
Approximate Tower Weight	153 lbs (69.4 kg)	168 lbs (76.2 kg)	183 lbs (83 kg)
Overall Dimensions (Stowed)	40" W x 35" L x 28" H (1.02m x .9m x .7m)		
Footprint (Deployed)	40" x 35" (1.02m x .9m)		

¹ Depending on Options/Conditions

Top View



Side View, Stowed

