



RAISING PERFORMANCE
WITH THE PUSH OF A BUTTON

STS-12

The crown of our Small Tower Series (STS) is the STS-12. The combination of strength and rigidity make it perfect for surveillance applications and the auto-leveling function means the STS-12 can be used in challenging terrain.

Because of the patented design, the tower is stowed at a compact height of 48 inches and rises to a height of 33 feet in two minutes, making it ideal for any environment where speed is required. An unmatched payload capability means a wide variety of cameras, sensors and antennas can be used as a payload, deployed with the push of a button.



Go to
[towersolutionsinc.com](https://www.towersolutionsinc.com)
for more information



SURVEILLANCE



COMMUNICATIONS



TACTICAL SUPPORT



LIGHTING

STS-12 SPECIFICATIONS

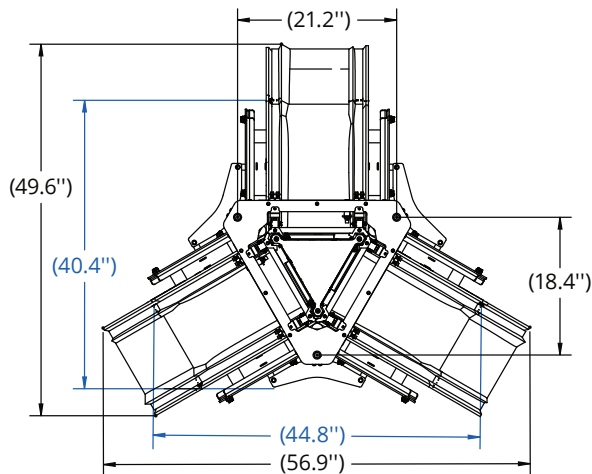
Fully Deployed Height	20' (6.1 m)	33' (10 m)
Time to Max Deployed Height	90 Seconds	2 Minutes
Set Up Time ¹	Less than 2 Minutes	
Ability to Stop at Any Height	Yes	
Top Payload Capacity	500 lbs (226.8 kg)	
Approximate Tower Weight	450 lbs (204.1 kg)	600 lbs (272.2 m)
Overall Dimensions (Stowed)	48" W x 46" L x 44" H (1.2m x 1.2m x 1.1m)	
Footprint (Deployed)	63.5" x 55.5" (1.6m x 1.4m)	

¹ Depending on Options/Conditions

OPTIONS

- **Auto-Leveling** – Auto level up to 10 degrees for use in almost any terrain
- **Battery Powered** – Large capacity battery bank that can provide hours of silent operation (based on payload draw)
- **Truck Mount Skid** – Integrates onto commercial pickup trucks
- **Customization** – If you have unique requirements, we can deliver a solution.
- **Payload Mounts**
- **Guy Wires**
- **Digital Height Positioning**
- **Cable Mgmt Reels**

Overall Operating Envelope for Both Tower Heights
(20' Indicated in Blue) and Tower Mounting Dimensions



Side View, Stowed

